

《高效率系列》

三相高壓12kV級模鑄型乾式變壓器 / 特性表

THREE PHASE H.V 12kV CAST RESIN TRANSFORMERS SPECIFICATION = HIGH EFFICIENCY

1. 相數：3 相 / NO. of phase：3
2. 額定電壓：HV 電壓均12kV以下
Rated voltage：For HV under 12kV and LV under 600V
3. 依據標準：CNS 13390或IEC 60076-11或依客戶要求
Standard:CNS 13390 or IEC 60076-11 or Customer specification requirement
4. 溫升限制：100°C (F Class) / Temp rise：100°C (F Class)
5. 頻率：60Hz / Frequency：60Hz
6. 效率、負載損、電壓變動率、阻抗電壓以換算至75°C為基準
Efficiency、Load loss、Voltage regulation and Impedance based on 75°C
7. 表列特性為參考值，各項特性請以認可資料或試驗報告為主
The listed characteristics are only for reference,Each specific characteristics on delivered Transformers are as approval or test report.

相數 Phase	容量 Rated Capacity kVA	損失(W) Losses		效率 Efficiency η (%)	電壓調整率 Voltage regulation ε (%)	激磁電流 Exciting current I_o (%)	阻抗電壓 Impedance IZ (%)	噪音 Noise dB(A)
		無載損 No-load	全損失 Full Loss					
3	100	550	2060	97.98	1.8	2.2	4.0	56
	200	750	3430	98.31	1.5	2.0	4.0	60
	300	900	4100	98.65	1.4	1.8	4.0	62
	400	1000	5180	98.72	1.4	1.7	4.0	62
	500	1200	6250	98.77	1.4	1.6	6.0	62
	600	1300	7050	98.80	1.2	1.6	6.0	64
	750	1620	8100	98.84	1.2	1.6	6.0	64
	1000	2461	9650	98.90	1.2	1.6	6.0	64
	1250	2000	11200	99.11	1.0	1.6	6.0	65
	1500	2250	12800	99.15	1.0	1.3	6.0	65
	2000	2900	17000	99.16	1.0	1.3	6.0	66
	2500	3500	20800	99.17	0.9	1.3	6.0	68
3000	4750	23300	99.23	0.9	1.0	6.0	68	

《高效率系列》

三相高壓12kV級模鑄型乾式變壓器 / 外型圖

THREE PHASE H.V 12KV CAST RESIN TRANSFORMERS OUT LINE DRAWN = HIGH EFFICIENCY

1. 頻率: 60Hz

Frequency: 60Hz

2. 相序: Dd0或Dyn1

Vector Symbol: Dd0 or Dyn1

3. 無外箱: IP00

No enclosure: IP00

4. F Class 100°C

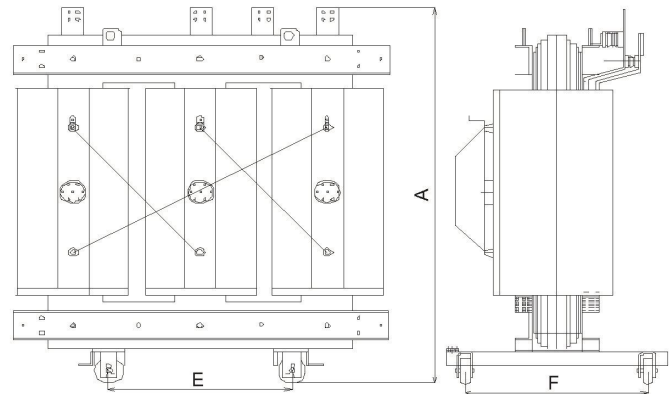
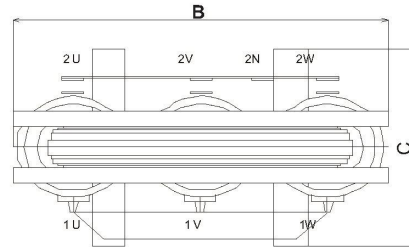
Temp rise: 100°C (F Class)

依據標準: CNS 13390或IEC 60076-11

Standard: CNS 13390 or IEC 60076-11

圖面資料為參考,
實際依認可製造圖面為主

The listed dimensions are only for
reference, Real dimensions should
follow the Approval Drawing.



相數 Phase	容量 Rated Capacity kVA	一次電壓 Primary Voltage V	二次電壓 Secondary Voltage V	外形尺寸 Outline Dimension mm					重量 Weight Kg
				A	B	C	E	F	
3	100	11400	600 以下	1150	1150	700	600	600	970
	200			1200	1200	700	700	700	1250
	300			1350	1300	800	800	700	1700
	400			1400	1500	900	800	800	1820
	500			1400	1550	900	800	800	1950
	600			1550	1550	900	800	800	2400
	750			1550	1700	1000	850	950	2580
	1000			1700	1700	1000	1000	1000	2940
	1250			1800	1800	1000	1000	1000	3640
	1500			1900	1900	1100	1150	1150	4200
	2000			2000	2000	1300	1250	1250	5300
	2500			2200	2100	1300	1250	1250	6300
3000	2300	2300	1400	1350	1350	7900			

《高效率系列》

三相高壓24kV級模鑄型乾式變壓器 / 特性表

THREE PHASE H.V 24kV CAST RESIN TRANSFORMERS SPECIFICATION = HIGH EFFICIENCY

1. 相數：3 相 / NO. of phase：3
2. 額定電壓：HV 電壓均24kV以下
Rated voltage：For HV under 24kV and LV under 600V
3. 依據標準：CNS 13390或IEC 60076-11或依客戶要求
Standard:CNS 13390 or IEC 60076-11 or Customer specification requirement
4. 溫升限制：100°C (F Class) / Temp rise：100°C (F Class)
5. 頻率：60Hz / Frequency：60Hz
6. 效率、負載損、電壓變動率、阻抗電壓以換算至75°C為基準
Efficiency、Load loss、Voltage regulation and Impedance based on 75°C
7. 表列特性為參考值，各項特性請以認可資料或試驗報告為主
The listed characteristics are only for reference,Each specific characteristics on delivered Transformers are as approval or test report.

相數 Phase	容量 Rated Capacity kVA	損失(W) Losses		效率 Efficiency η (%)	電壓調整率 Voltage regulation ε (%)	激磁電流 Exciting current I_o (%)	阻抗電壓 Impedance IZ (%)	噪音 Noise dB(A)
		無載損 No-load	全損失 Full Loss					
3	100	560	2040	98.00	1.8	2.2	4.0	56
	200	770	3440	98.31	1.6	2.0	4.0	60
	300	940	4080	98.66	1.6	1.8	6.0	62
	400	1450	5180	98.72	1.4	1.7	6.0	62
	500	1560	6270	98.76	1.4	1.6	6.0	62
	600	1650	7040	98.84	1.4	1.6	6.0	64
	750	2100	8600	98.87	1.2	1.6	6.0	64
	1000	2200	10550	98.95	1.2	1.6	6.0	64
	1250	2460	12000	99.05	1.2	1.6	6.0	65
	1500	2600	13600	99.10	1.0	1.3	6.0	65
	2000	3300	16800	99.10	1.0	1.3	6.0	66
	2500	3700	20700	99.15	1.0	1.3	6.0	68
3000	4880	24190	99.20	1.0	1.0	6.0	68	

《高效率系列》

三相高壓24kV級模鑄型乾式變壓器 / 外型圖

THREE PHASE H.V 24KV CAST RESIN TRANSFORMERS OUT LINE DRAWN = HIGH EFFICIENCY

1. 頻率: 60Hz

Frequency: 60Hz

2. 相序: Dd0或Dyn1

Vector Symbol: Dd0 or Dyn1

3. 無外箱: IP00

No enclosure: IP00

4. F Class 100°C

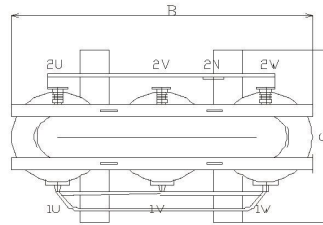
Temp rise: 100°C (F Class)

依據標準: CNS 13390或IEC 60076-11

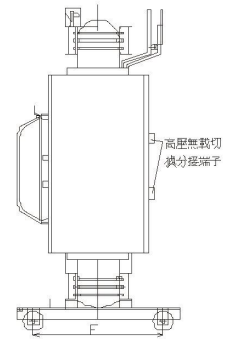
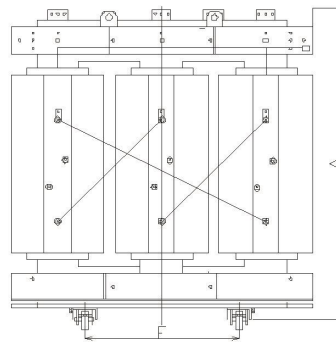
Standard: CNS 13390 or IEC 60076-11

圖面資料為參考,
實際依認可製造圖面為主

The listed dimensions are only for
reference, Real dimensions should
follow the Approval Drawing.



11400/22800系列



相數 Phase	容量 Rated Capacity kVA	一次電壓 Primary Voltage V	二次電壓 Secondary Voltage V	外形尺寸 Outline Dimension mm					重量 Weight Kg	
				A	B	C	E	F		
3	100	11400	380-220	1300	1200	800	700	700	980	
	200			1300	1200	800	700	700	1100	
	300			1500	1300	800	700	700	1700	
	400			1500	1400	900	800	800	1900	
	500			/	1600	1500	900	800	800	2500
	600			22800	1650	1600	900	900	800	2650
	750	或 22800		1700	1600	1000	900	800	2800	
	1000			1870	1700	1000	1000	800	3200	
	1250			1870	1700	1000	1000	900	3600	
	1500			1950	1850	1100	1000	1000	4000	
	2000			2280	2000	1200	1200	1000	5000	
	2500			2350	2150	1300	1350	1250	6650	
3000	2400	2300	1500	1500	1250	8500				